



**India's Leading**  
Hardware, Accessories Brand  
for uPVC Doors & Windows

---



JishnuHardware is a trusted name in precision-engineered architectural hardware solutions, specializing in high-quality UPVC fittings and accessories. Established with a vision to redefine industry standards, we combine advanced manufacturing technology with rigorous quality control to deliver products that meet global benchmarks for performance, durability, and aesthetics.

Driven by innovation and customer-centric values, Jishnu Hardware offers a comprehensive range of products designed to support modern infrastructure and construction needs. Our portfolio includes a wide selection of window and door hardware components, locks, handles, hinges, rollers, and allied accessories — each engineered for seamless functionality and long-lasting reliability.

With a commitment to excellence, we continuously invest in research, development, and state-of-the-art production capabilities to ensure precision, consistency, and value in every product. Our professional team works closely with architects, fabricators, builders, and channel partners to provide tailored solutions that enhance both form and function.

Driven by a customer-first philosophy, we aim to make world-class hardware solutions accessible to every project — from premium developments to everyday homes. **Jishnu Hardware — where design, durability, and trust come together.**

**10 Years Warranty**

**JISHNU**

*Warranty Certificate*

We Jishnu hardware certify that all our products comes with 10 years of warranty from the date of invoicing. This warranty is for any Manufacturing detects like powder coating stable working of goods... etc.

**Jishnu Hardware,**  
5-1/5/1, Near BSNL Office,  
Lankelapalem, Anakapalli (Dist),  
Visakhapatnam, AP-53019.  
© +91 77994 84443, 77994 84448

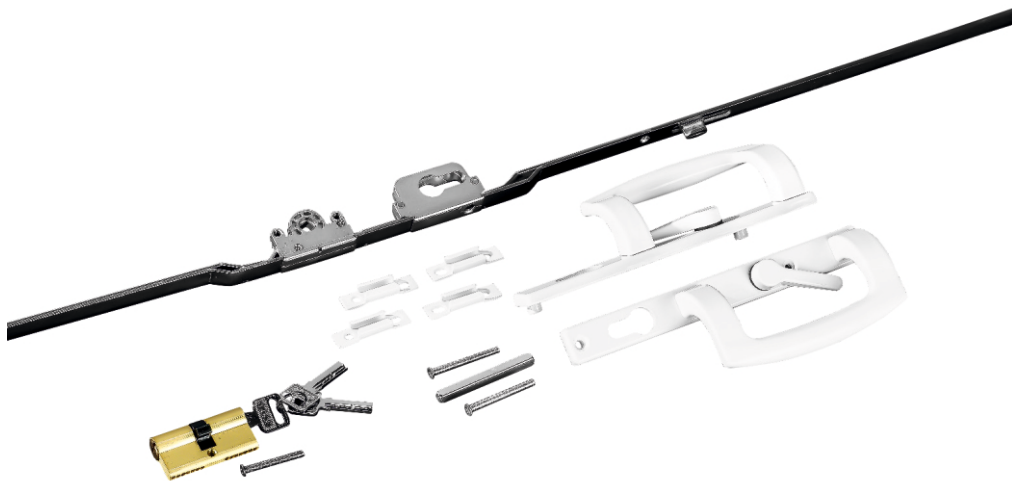
## CASEMENT DOOR SET

---



## D HANDLE SET

---



## CASEMENT SOUTH DOOR SET

---



# J ROLLERS

Single Roller Nylon Groove



SR01

Single Roller Nylon Flat



SR02

12 mm Ball Bearing



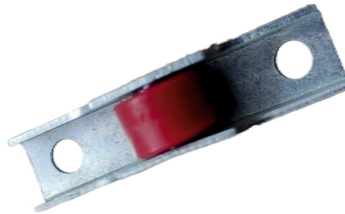
SR03

Double Swing Roller  
Nylon Groove / Flat



SR04

Mesh Roller 10mm



SR05

Mesh Roller 7.5mm



SR06

2 Adjustable Roller



SR07

4 Wheel Roller



SR08

8 Wheel Roller



SR09



# SLIDING HANDLES

Sliding Touch Lock



SH01



Sliding Touch Lock Mini



50mm Series

SH02



Sliding LG Type Touch Lock



SH03



Pop up Handle Zinc



SH04



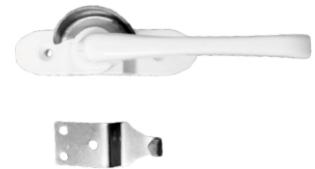
Pop up Handle Aluminium



SH05



Crescent Lock



SH06



Short Neck Handle



SH07



Window Short Neck Handle (Left & Right)



SH08



Short Neck Door Handle (Right & Left)



SH09



Sliding Door Handle Heavy



SH10



Sliding Short Neck Handle with Key (Left & Right)



SH11



Pop up Handle with Key



SH12



# SLIDING HANDLES

Sliding Handle



SH13



Sliding Handle with Key



SH14



C Handle (Small)



SH15



C Handle (Big)



SH16



D Handle Lockable Both Side



SH17



D Handle Non Lockable with Dummy Handle



SH18



D Handle with Dummy Handle (Close Left Lock)



SH19



Sliding Handle Key + Knob



SH20



Sliding Handle Key + Plain



SH21



# CASEMENT HANDLE

Casement Handle  
American



CH11



Casement Handle  
(Thumb)



CH12



Casement Crank Handle  
(Premium) (Left & Right)



CH13



Casement Handle  
with Key\_01



CH14



Casement Handle  
with Key\_02



CH15



Allen Key Handle



CH16



Cocksphur Handle  
(Eco) (Left & Right)



CH17



Cocksphur Handle  
(Normal) (Left & Right)



CH18



Cocksphur Handle  
(Premium) (Left & Right)



CH19



# CASEMENT HANDLE

Casement Door Handle  
(Premium)



CH20



Casement Door Handle  
(Normal)



CH21



Casement Door Handle  
(Eco)



CH22



Casement Shortneck  
Door Handle  
(for door twin sash)



CH23



Casement Door  
both Side Handle



CH24



T Handle



CH25



Casement Double  
Handle Key + Plain  
(for Window Sash)



CH26



Casement Double  
Handle Key + Knob  
(for Window Sash)



CH27



Mesh Lock



CH28



# HINGES

3 D Hinge



HG01



3D Hinge Premium



HG02



Flat Hinge



HG03



2D Hinge



HG04



Concealed Hinge Window



HG05



Concealed Hinge Window



HG06



Concealed Hinge Door



HG07



Concealed Hinge Door



HG08



Butt Hinge (75 mm)



HG09



Butt Hinge (100 mm)



HG10



L Hinge



HG11



Mesh Shutter Hinge



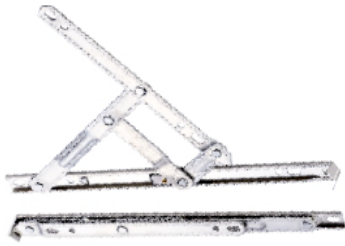
HG12



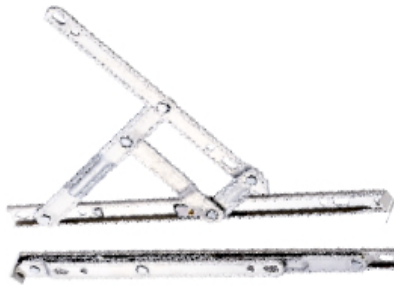




Friction Stay SS/202



Friction Stay SS/304



Arm-Stay SS/202/304



Size - 10" & 12"

Thickness	2 mm & 2.5 mm								
Size in mm	200mm	250mm	300mm	350mm	400mm	450mm	500mm	550mm	600mm
Size in Inch	8"	10"	12"	14"	16"	18"	20"	22"	24"

240mm



175mm



110mm



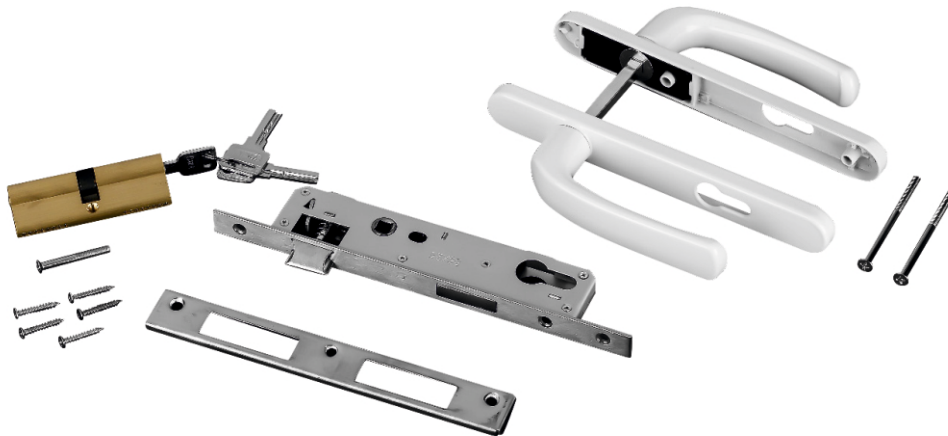
35mm BS Casement Espag

Product Code	L (mm)	Locking Point
3516	1600	4
3518	1800	4

### Bathroom Set



### Single Point Set



Cylinder with One Side Knob One Side Key



Cylinder with Both Side Key



Product Code	Size	Both Side Key	One Side Knob	Half Cylinder
CY 60	60mm	✓	✓	✓
CY 70	70mm	✓	✓	✓
CY 80	90mm	✓	✓	✓
CY 85	85mm	✓	✓	✓
CY 90	90mm	✓	✓	✓



## 7.5mm BS Sliding Espag

Product Code	L (mm)	Locking Point
7504	400	2
7506	600	2
7508	800	2
7510	1000	3
7512	1200	3
7514	1400	4
7516	1600	4
7518	1800	4
7520	2000	4



## 15mm BS Sliding Espag

Product Code	L (mm)	Locking Point
1510	1000	3
1512	1200	3
1514	1400	4
1516	1600	4
1518	1800	4
1520	2000	4



## 22mm BS Casement Espag

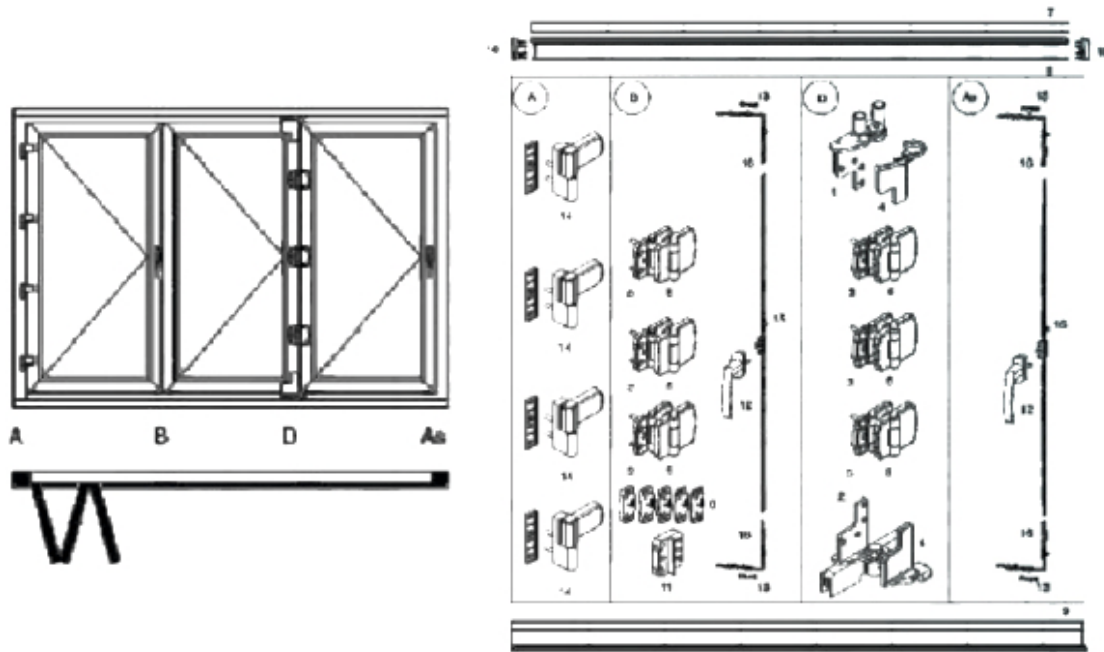
Product Code	L (mm)	Locking Point
2240	400	2
2260	600	2
2280	800	2
2210	1000	3
2212	1200	3
2214	1400	4
2216	1600	4
2218	1800	4



## 30mm BS Casement Espag

Product Code	L (mm)	Locking Point
3014	1400	3
3016	1600	4
3016	1800	4

## Sliding & Folding System

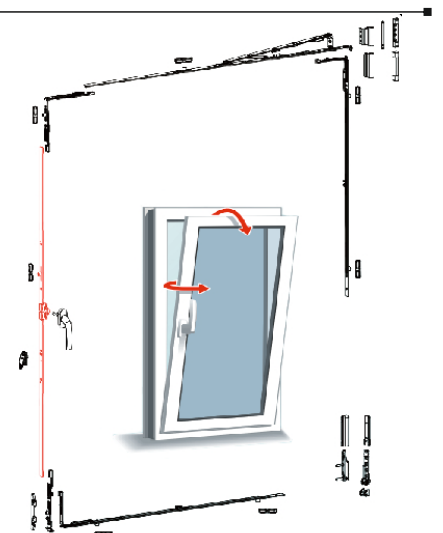


### 3 LEFT OPENING SYSTEM

1	Folding Door Upper Carrier	1 Pieces	9	Folding Door Bottom Running Rail	Width of Frame (m)
2	Folding Door Bottom Carrier	1 Pieces	10	Folding Door End Cover Cap For Upper Guiding Rail	2 Pieces
3	Folding Door Middle Hinge	6 Pieces	11	Folding Door Assembly Aparatus Of Middle Hinge	1 Pieces
4	Folding Door Carrier Cover Caps	1 Set	12	Window Handle	2 Pieces
5	Folding Door Middle Hinge Cover Caps	6 Set	13	Tilt And Turn Security Botton Striker	4 Pieces
6	Folding Door Middle Hinge Block Set	6 Set	14	2D Adjustable Hinge	4 Pieces
7	Folding Door Screw Cover Profile (PVC)	Width of Frame (m)	15	Tilt And Turn 15 Axis Espagnolette	2 Pieces
8	Folding Door Upper Guiding Rail	Width of Frame (m)	16	Tilt And Turn Corner	4 Pieces

## Tilt & Turn System

Application	Shutter Dimension
<ul style="list-style-type: none"> <li>Used for Casement Window</li> <li>Provides the option of openable side hung &amp; top hung</li> </ul>	<ul style="list-style-type: none"> <li>Height: 600-1800mm</li> <li>Weight: 400-1000mm</li> </ul>



Glass Packer (1/3/5 mm)



U Packer/Packer(1/3/5)



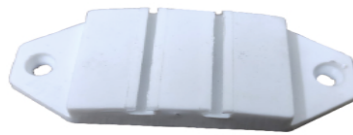
Fastener Cap



L Type Antilift



Antilift Small



Antilift Big



Sliding Stopper Round(Big)



Sliding Stopper Round (Small)



Sliding Stopper Rectangular



Bump Stopper PVC/Metal



Bump Stopper Premium PVC/Metal



Drainage Cap



Aluminium Track Semi-Solid



Aluminium Track Solid



Aluminium Track Hollow



SS Natural Mesh



SS Black Mesh



Nylon Mesh



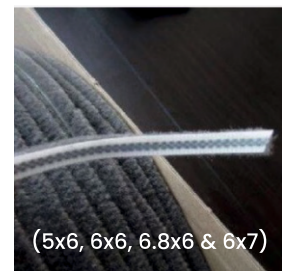
SD Screw and PVC Screw



Fastener (8x80 & 8x100)



Woolpile



Gasket



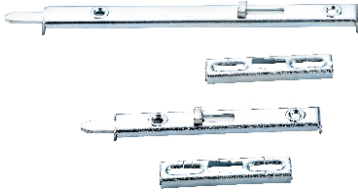
Mesh Tool PVC



Mesh Tool Wooden



Shoot Bolt



Shoot Bolt  
(White Powder Coated)



L-Clamp(12/50)



L-Clamp(30/30)



Welding Paper Adhesive



Casement Window  
Stricker (9 Axis)



Casement Door Stricker  
(13 Axis)



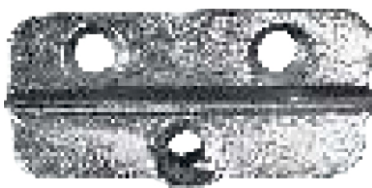
French Window/Door  
Striker



Casement Reinforcement  
Stricker



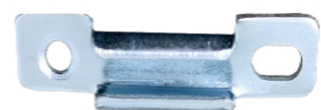
13 mm Axis  
Casement Stricker (1)



13 mm Axis  
Casement Stricker (2)



Sliding Stricker



Mesh Fixing Handle with Double Side Wheel



Mesh Fixing Handle Y Type Heavy



Nylon Hammer & Spares



Silicon Filling Gun



Form Rod



Safety Hand Gloves



Faster Hole Bit



Routing Bit



Thermocouple Wire



Welding Plate Wire



Manual Corner Cleaning



Water Slot 90 Degree



Water Slot 45 Degree



Inner Cleaning Machine



Outer Cleaning Machine



Manual Welding Machine



Manual Welding Machine Plate



Welding Plate



Inter Lock Punching Machine



Hand Tools





# SILICONE SEALANTS





+91 77994 84448

jishnuhardware@gmail.com

**Store Address:**

5-1/5/1, Near BSNL Office,  
Lankelapalem, Anakapalli (Dist),  
Visakhapatnam, AP-53019.

+91 77994 84443

**Warehouse Address:**

Plot No. 49 & 50, APIIC,  
Industrial Park, Koduru (V), Anakapalli (M),  
Anakapalli (Dist), A.P.-531032.

+91 77994 84443

jishnupvc.com